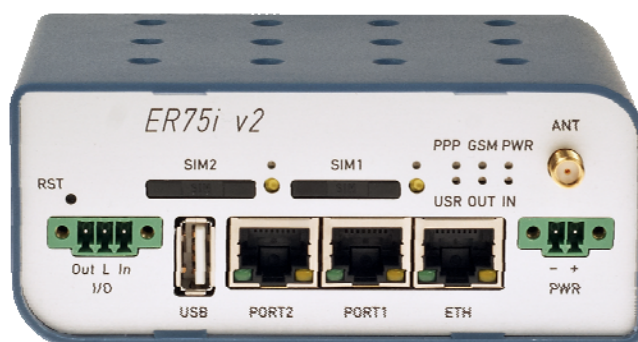
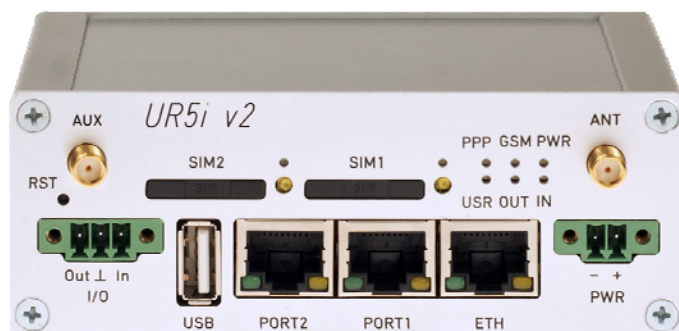




Expansion port mounting for routers v2

APPLICATION GUIDE



Used symbols



Danger – important notice, which may have an influence on the user's safety or the function of the device.



Attention – notice on possible problems, which can arise in specific cases.



Information, notice – information, which contains useful advice or special interest.

GPL licence

Source codes under GPL licence are available free of charge by sending an email to info@conel.cz.



**Declared quality system
ISO 9001**



Conel s.r.o., Sokolska 71, 562 04 Usti nad Orlici. Czech republic
Issue in CZ, 12/13/2011

Contents

1. Expansion port mounting for routers v2	1
1.1. Expansion port mounting for routers in plastic box.....	1
1.2. Expansion port mounting for routers SL	3

Image list

Fig. 1: Router in plastic box.....	1
Fig. 2: Router in aluminum box	3

Table list

Table 1: Part list for router in plastic box.....	2
Table 2: Part list for router in aluminum box.....	4

1. Expansion port mounting for routers v2

1.1. Expansion port mounting for routers in plastic box



Attention! Expansion port PORT1 and PORT2 include when the router is switched off.

After removing front head of the box it is possible to take out the B-RB-v2 motherboard (position 5). The expansion port PORT1 (position 2) is connected to connector J8 (see below) of the router B-RB-v2 motherboard (position 1) from TOP side. The expansion port PORT2 (position 3) is connected to connector J3 (see below) of the router B-RB-v2 motherboard (position 1) from TOP side. The expansion port is mounted to the motherboard by the help of three spacers (position 10). After mounting the expansion port the box is inserted motherboard into box and kneaded front head in the box.

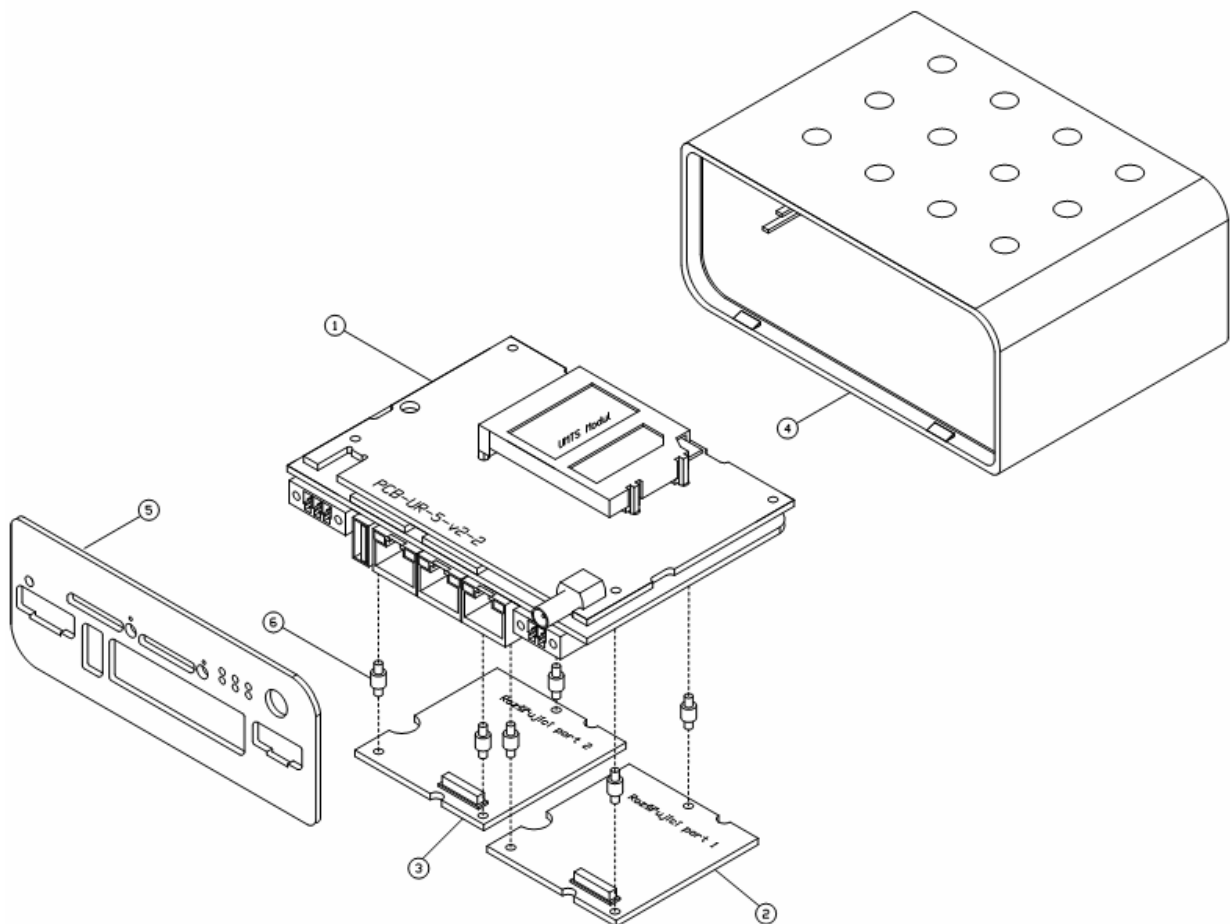


Fig. 1: Router in plastic box

Parts list and description

Part	Description	Number
1	Router motherboard	1
2	Expansion port PORT1	1
3	Expansion port PORT2	1
4	Box	1
5	Front head	1
6	Spacers for expansion port PORT1 mounting to motherboard	6

Table 1: Part list for router in plastic box

1.2. Expansion port mounting for routers SL



Attention! Expansion port PORT1 and PORT2 include when the router is switched off.

After unscrewing four screws (position 11) on the rear panel (position 6) and removing it is possible to take out the B-RB-v2 motherboard (position 1). The expansion port PORT1 (position 2) is connected to connector J8 (see below) of the router B-RB-v2 motherboard (position 1) from TOP side. The expansion port PORT2 (position 3) is connected to connector J3 (see below) of the router B-RB-v2 motherboard (position 1) from TOP side. The expansion port is mounted to the motherboard by the help of three spacers (position 10). After mounting the expansion port the box is screwed together by the help of four screws (position 11).

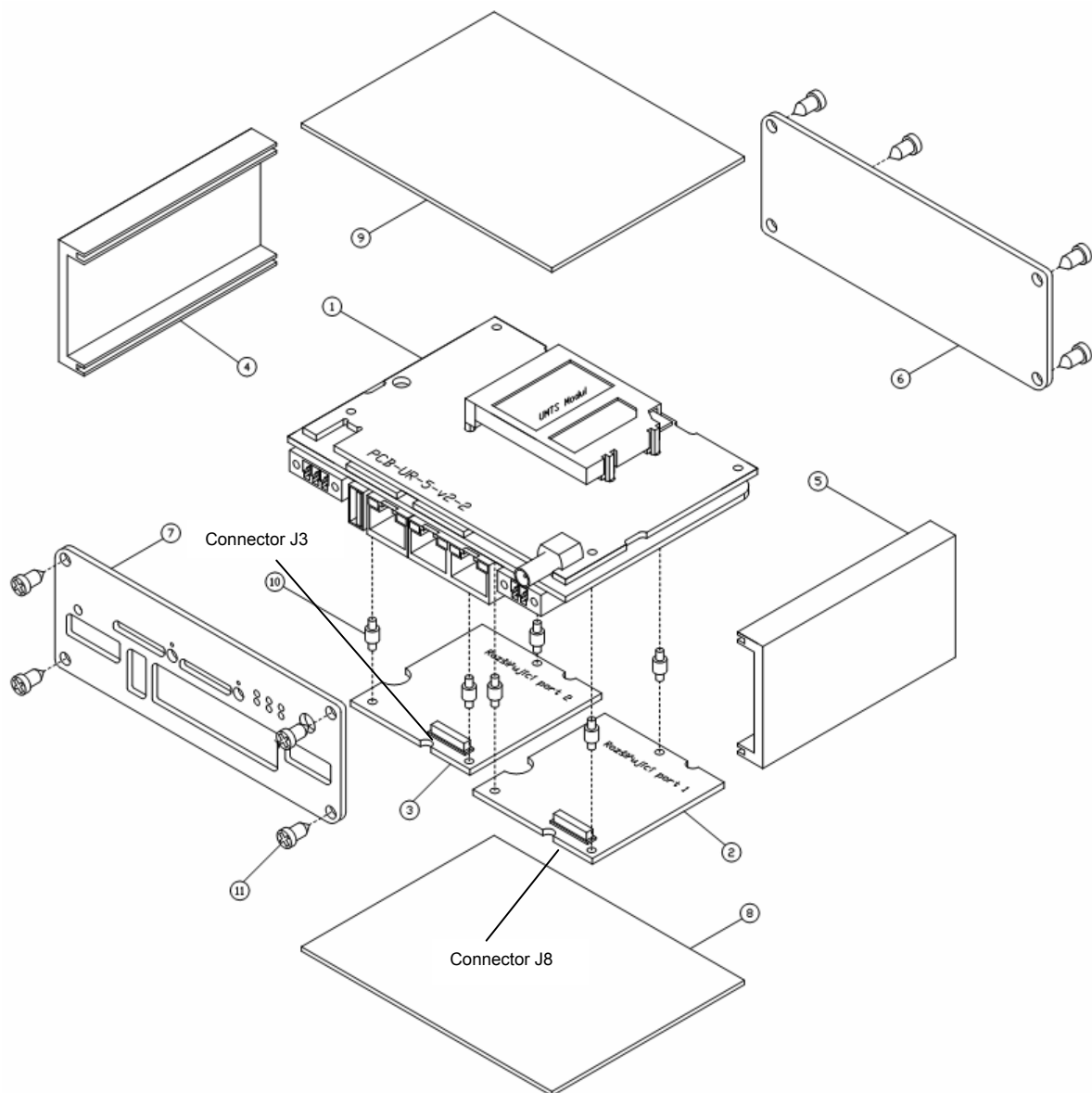


Fig. 2: Router in aluminum box

Parts list and description

Part	Description	Number
1	Router motherboard	1
2	Expansion port PORT1	1
3	Expansion port PORT2	1
4	Left box part	1
5	Right box part	1
6	Rear head	1
7	Front head	1
8	Bottom box part	1
9	Top box part	1
10	Spacers for expansion port PORT1 mounting to motherboard	6
11	Screw for box completion	8

Table 2: Part list for router in aluminum box